

手拉阀 Hand-draw Valve



3R210-08

3R310-08

4R210-08

4R310-08

订购码 Ordering Code

4R

规格代码

4R: 二位五通手拉阀
3R: 二位三通手拉阀
Specification Code
4R: Two-position Five-way Hand-Pull Valve
3R: Two-position Three-way Hand-Pull Valve

2

系列代号
Series Code
200系列/Series
300系列/Series
400系列/Series

10

位置数
10: 单头双位置
Number of places
10: Single-head Double-position

06

接口口径
Joint Pipe Bore
06: G1/8"
08: G1/4"
10: G3/8"
15: G1/2"

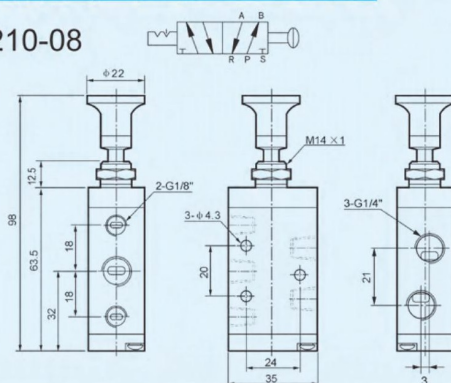
电磁阀
Solenoid Valve

规格 Specification

型号 Model	4R110-06	4R210-08	4R310-10	4R410-15	3R110-06	3R210-08	3R310-10	3R410-15
工作介质 Working Medium	压缩空气 / Compresses Air							
位通数 Position and Way NO.	二位五通 Two-position Five-way				二位三通 Two-position Three-way			
接口口径 Joint Pipe Bore	G1/8"	G1/4"	G3/8"	G1/2"	G1/8"	G1/4"	G3/8"	G1/2"
使用压力范围 Working-pressure Range	0~1.0MPa							
使用温度范围 Operating Temperature Range	-5~60℃							
动作方式 Operating Method	直动式 Direct Action Type							
润滑 Lubrication	不需要 Not Required							

外形尺寸 Overall Dimension

4R210-08



3R210-08

