

## UF Series Solenoid Valve



● UF-10

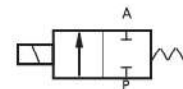


● UF-08

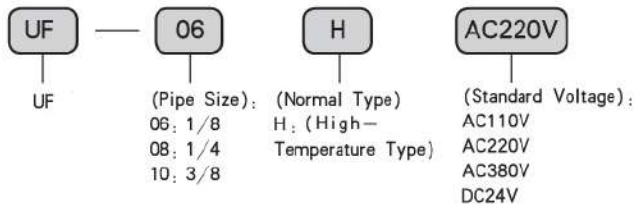


● UF-06

### ■ Graphics Sign



### ● Ordering Code



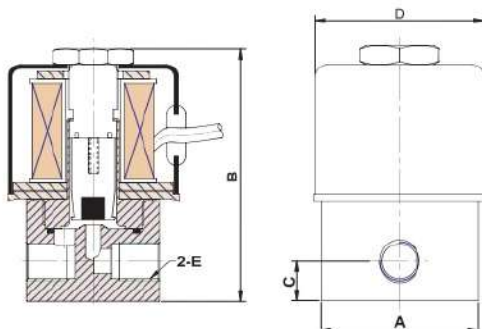
### Specific Property:

This valve has direct action type piston and quick action. The body adopts stainless steel, with anticorrosion, high efficiency, long service life, good waterproof performance and multiple wiring directions.

### ■ Technical Parameter

Item \ Specification	UF-06			UF-08			UF-10		
Material of Body	Stainless Steel								
Operating Method	Direct Action Type								
Pipe Size	G1/8			G1/4			G3/8		
Nominal Diameter (mm)	3						3.5		
Applicable Fluid	(Air), (Water), (Oil) (50CST below), (Steam), (Chemicals)								
Pressure Range	0 ~ 1.0MPa								
Applicable Temperature	Normal Type: -5 ~ 99°C; High-Temperature Type: -5 ~ 185°C								
Specified Voltage	AC12V	AC24V	AC36V	AC110V	AC220V	AC380V	DC12V	DC24V	DC110V
Power	8W	8W	8W	12 W	11W	9W	11 W	11 W	11 W
Operating Voltage Range	± 15%								
Min. Activating Time	0.05S								

### ■ Figure Dimension



Specification	A	B	C	D	E
UF-06	φ 37.5	65	10	42	G1/8
UF-08	φ 37.5	68	10	42	G1/4
UF-10	φ 41.5	72	12	42	G3/8