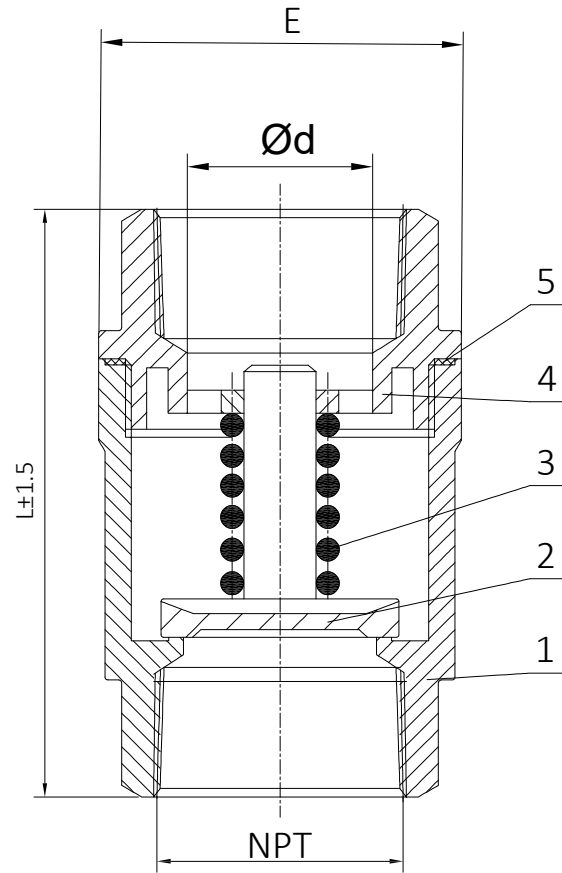


SINTEK



NPS	d	L	E
1/4"	9	51	32
3/8"	11	51	32
1/2"	15	59	35
3/4"	20	67	41
1"	25	79	48
1 1/4"	32	86	57
1 1/2"	40	98	69
2"	50	117	81
2 1/2"	65	148	114
3"	80	160	139
4"	100	208	171

5	Gasket	PTFE
4	Bonnet	A351 CF8/CF8M
3	Spring	SS304/SS316
2	Disc	A351 CF8/CF8M
1	Body	A351 CF8/CF8M
No.	Part name	Material
SPRING VERTICAL CHECK VALVE 800WOG		
Design and manufacture		ASME B16.34
End connection		Thread
Face-to-face		MANUFACTURER'S STANDARD
Inspection and test		API 598
SINTEK		
DRAWING:		AUDITING:
APPROVE:		DATE: