



## Exploded View



## Technical Data

DN (mm)	15	20	25	32	40	50
Size (inch)	1/2"	3/4"	1"	1-1/4"	1-1/2"	2"
Q4(l/h)	3125	5000	7875	12500	20000	31250
Q3(l/h)	2500	4000	6300	10000	16000	25000
R=80	Q2 (l/h)	50	80	126	200	320
	Q1 (l/h)	31.25	50	78.75	125	200
R=100	Q2 (l/h)	40	64	100.8	160	256
	Q1 (l/h)	25	40	63	100	160
R=125	Q2 (l/h)	32	51.2	80.64	128	204.8
	Q1 (l/h)	20	32	50.5	80	128
R=160	Q2 (l/h)	22.5	40	63	100	160
	Q1 (l/h)	15.62	25	39.37	62.5	100
Max. Reading (m3)	99,999	99,999	99,999	99,999	99,999	99,999
Min. Reading (Liter)	0.05	0.05	0.05	0.05	0.05	0.05
Max. Pressure (Bar)	16	16	16	16	16	16
Pressure Loss ( $\Delta P$ )	63					
Max. Temperature	T=50 /90					
Pulse Output Option	Vmax=24V					
	Imax=100mA					
	Pmax=2W					

## Pulse Output Option



Magnet Position	Liter /Pulse
* 0.0001	1
* 0.001	10
* 0.01	100
* 0.1	1000

## Warranty

All meters will be guaranteed against defects in workmanship and materials for a period of one (1) year from the date of acceptance.



## MULTI-JET VANE WHEEL TYPE

### Dry-dial Brass/Plastic body water meters

It is a multi-jet dry type water meter for residential application in sizes 15mm-50mm for cold / hot water.

#### Features

- Magnetic Drive, Lower transmission resistance.
- Magnetic shield, for external magnetic field protection.
- Sealed dry register ensures long time clear reading.
- External regulating device.

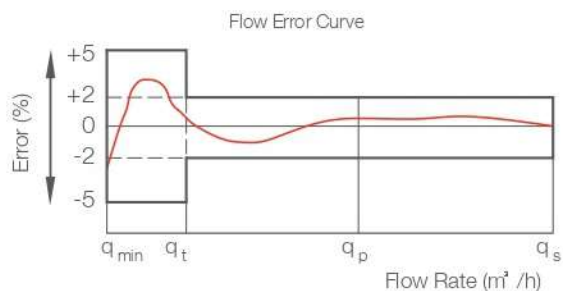
Accessories: 2pcs coupling, 2pcs coupling nuts and 2pcs washers.

#### Optional Features

- Register sealed type: Dry type; Semi-dry type; Super-dry type.
- Accuracy: R=80 ; 100; 125; 160.
- Size: 15~50mm.
- Cold / hot water.
- Non return valve.
- Reed switch option.
- Several lengths and connections available on request.
- Thread end type: BSP / NPT.

#### Maximum Permissible Error

- In the lower zone from  $q_{min}$  inclusive up to but excluding  $q_t$  is  $\pm 5\%$ .
- In the upper zone from  $q_t$  inclusive up to and including  $q_s$  is  $\pm 2\%$ ;  $\pm 3\%$  for hot water meter.



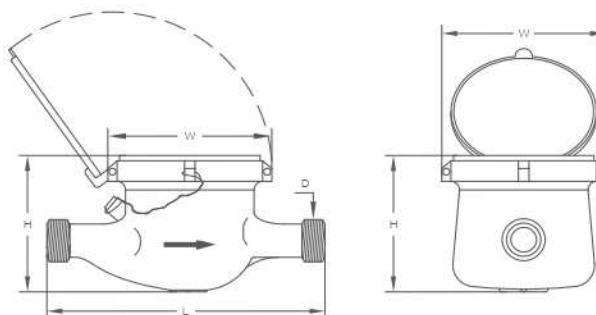
#### Standards Compliance

Technical data conform to international standard ISO 4064.

#### Working Conditions

- Water temperature: 0.1 C ~ 50 C for cold water meter.
- 0.1 C ~ 90 C for hot water meter.
- Water pressure:  $\leq 1.6\text{Mpa}$  (16 bar).

#### Overall Dimension And Weight



DN (mm)	15	20	25	32	40	50	50
Size (inch)	1/2"	3/4"	1"	1-1/4"	1-1/2"	2"	2"
Length (L)	165/190	190	260	260	300	300	280
Width (W)	98	98	103.5	103.5	125	125	160
Height (H)	116	117	124	124	162	162	187.5
Connecting Thread D	G3/4B	G1B	G11/4B	G11/2B	G2B	G21/2B	Flange end
Weight (kgs)	1.65	1.79	1.85	2.68	5.25	7.25	

