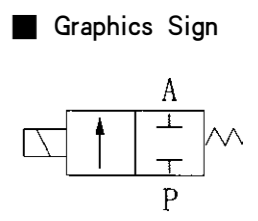
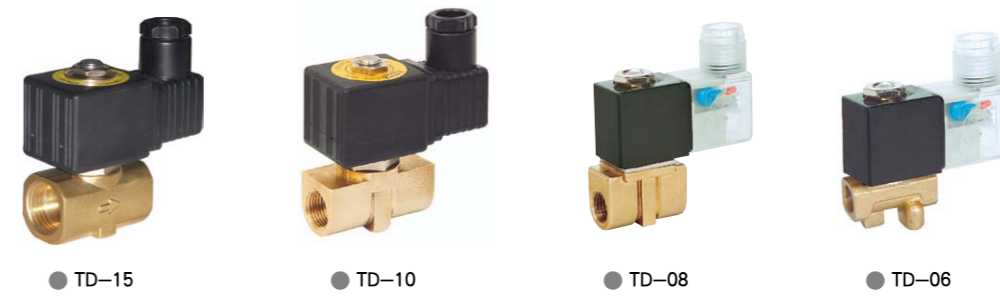
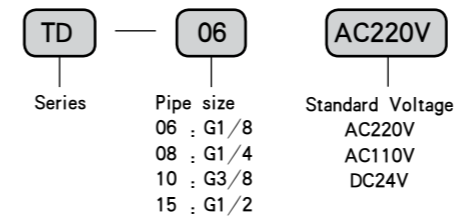


TD Series Solenoid Valve



● Ordering Code



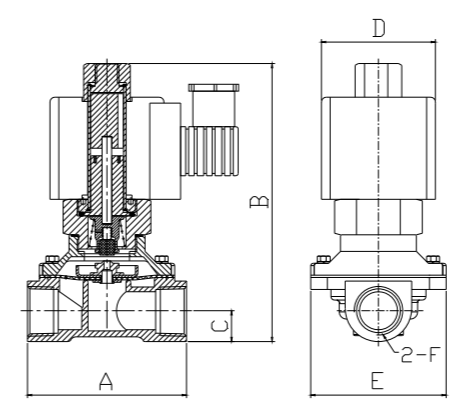
■ Specific Property

This valve has direct action type piston and quick action, with multiple purposes, high efficiency, long service life, good waterproof performance, multiple wiring directions and handsome shape.

■ Technical Parameter

Item \ Specification	TD-06	TD-08	TD-10	TD-15
Material of Body	Brass			
Control Method	Direct Action Type			
Pipe Size	G1/8	G1/4	G3/8	G1/2
Nominal Diameter (mm)	2	2	3	3
Pressure Range	0 ~ 1.0MPa			
Applicable Medium	Air	Water	Oil	
Medium Temperature	-10 ~ 60°C	1 ~ 60°C	-5 ~ 60°C	
Specified Voltage	AC24V, AC36V, AC110V, AC220V, DC24V, DC110V			
Operating Voltage Range	± 10%			
Min. Activating Time	0.05S			

■ Figure Dimension



Specification	A	B	C	D	E	F	G
TD-06	33	65	65	18	G1/8	9	22
TD-08	33	65	65	18	G1/4	9	22
TD-10	49	68	78	23	G3/8	10	34
TD-15	54	69	80	25	G1/2	12.5	34

